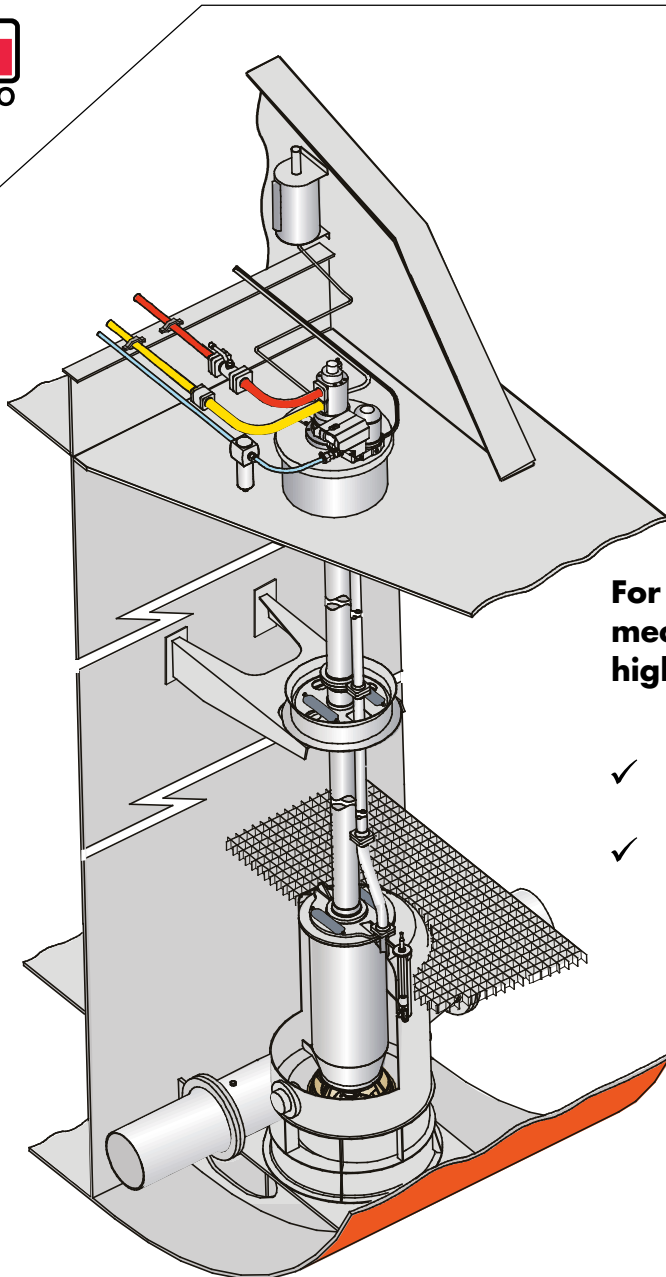


## Service Bulletin

### **Ballast Pumps: - Cofferdam Liquid, - Monitoring of Cofferdam**



**SB200  
SB300  
SB400  
SB600**

**For increased life time of mechanical seals we like to high-light the following items:**

- ✓ **Correct cofferdam monitoring**
- ✓ **Correct type of liquid in the cofferdam**



For all Framo SB-type ballast pumps - both submerged and dry mounted – the hydraulic section is surrounded by the liquid filled cofferdam that completely segregates the hydraulic oil from the ballast. Static overpressure in the cofferdam gives clean cofferdam liquid to the seal faces and lubrication of these.

Condition monitoring of the shaft seal arrangement is carried out by surveillance of the liquid level in the header tank.

Experience has shown that clean and correct type of cofferdam liquid is important in order to secure a long lifetime of the shaft seal arrangement.

Further the filling method is essential to avoid air pockets in the cofferdam. With air in the cofferdam the liquid level in the header tank can be unstable.

In case of change in cofferdam level, the level should be monitored over a certain period to ensure the problem is identified before carrying out service of the pump.

### **Cofferdam liquid (mixing rate):**

- |                        |        |   |      |
|------------------------|--------|---|------|
| - Demineralized water: | 40     | - | 50 % |
| - Glycol *             | 60     | - | 50 % |
| - Freezing point       | - 35°C |   |      |

- \* Propylene glycol, C<sub>3</sub>H<sub>8</sub>O<sub>2</sub> (monopropylene glycol, 1.2 propanediol, propanediol)  
or  
Ethylene glycol, C<sub>2</sub>H<sub>6</sub>O<sub>2</sub> (monoethylene glycol, 1.2 ethanediol, ethanediol)

Propylene glycol is less toxic and less corrosive than ethylene glycol. Therefore, Framo recommend propylene glycol to be used.

### **Use only pure glycol without additives.**

**Note!** *Think safety and health. Read the Material Safety Data Sheet (MSDS) before using the different glycol.*

#### **Note!**

Never use other anti-freeze solutions. Some of the additives in the anti-freeze solutions form deposits on the seal faces and thereby cause seal failure.

Glycol is added to prevent freezing. If no danger of frost, the cofferdam can be filled with demineralized water without glycol.

For filling of cofferdam it is important to follow the instructions given in the Operation Manual, which is available in the Service Manual.





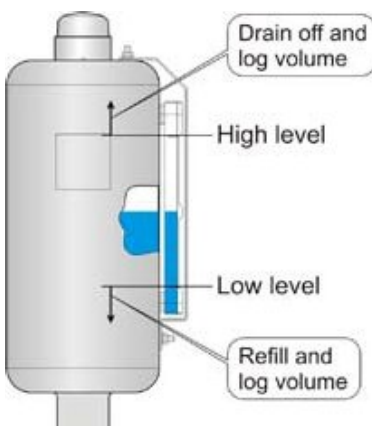
## EVALUATION OF CHANGES IN LIQUID LEVEL IN HEADER TANK

When the pump is not running, the leakage rate from the mechanical seals is very low (up to 0,1 ml/h). Therefore increasing or decreasing level due to leakages from mechanical seals should not be expected when the pump is not in operation.

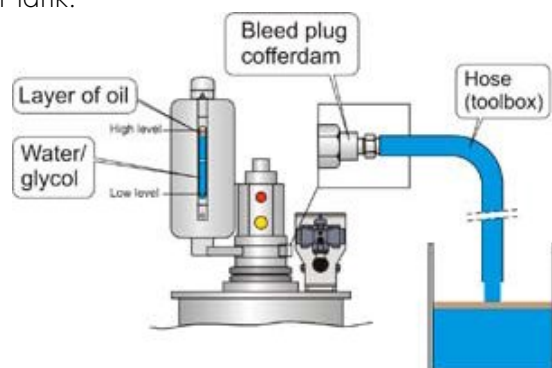
Changes in liquid level	Possible reason
Sudden decrease	Can indicate that it is air in the cofferdam system, which most likely occurs in the first period after initial water/glycol filling or complete refill after service.
Decreasing level (Leak from pump cofferdam to ballast tank)	Different temperature compared to the previous measurement (temperature of the ballast water, hydraulic oil and ambient temperature), ref. fig. 1. When pump is running the normal leakage rate can be up to 20 ml/h from the mechanical sea water seal. This will give a decreasing level in header tank of up to approx. 0,65 mm/h, i.e 65 mm per 100 running hours. For a shorter period of time, higher leakage peaks can occur. Abnormal decreasing level over a period of time indicates a worn out mechanical sea water seal. For details see Framo Service Manual.
Increasing level (Hydraulic oil leak into pump cofferdam)	Different temperature compared to the previous measurement (temperature of the ballast water, hydraulic oil and ambient temperature), ref. fig. 1. Normal leakage rate can be up to 5 ml/h from the mechanical oil seal. This will give an increasing level in header tank up to approx. 0,16 mm/h, i.e. 16 mm per 100 running hours. For a shorter period of time, higher leakage peaks can occur. A continuous leakage rate > 20 ml/h or a sudden increasing level in header tank may indicate a worn out mechanical oil seal, and overhauling may be necessary. For details see Framo Service manual.

IN CASE OF ANY DOUBT, please contact any Framo service stations for assistance.

If the level drops under low level, refill the header tank. Log the volume.



If level exceeds high level, the header tank must be drained. Volume and amount of oil must be logged. Empty the header tank by draining through the cofferdam bleed plug, see fig. 15. Refill the header tank.





FRAMO

## LOG FORM FOR LIQUID FILLED COFFERDAM ON FRAMO SUBMERGED BALLAST PUMPS

VESSEL NAME: \_\_\_\_\_ TYPE OF LIQUID USED IN COFFERDAM: \_\_\_\_\_

*Header tank level(H) to be measured in mm above low level mark on sight glass. 1 mm on sight glass is equivalent to 31 ml volume.*

Pump location (P or S)	Date	Header tank level (H) (mm)	Ballast water temperature (°C)	Hydraulic oil temperature (°C)	Ambient temperature (°C)	Hours of operation since last control (h)	Leakage rate (ml/h)*	Comments / Remarks (Action taken)	Signature / Date

\*Leakage rate (to be calculated) =  $\frac{(H_2 - H_1) \times 31}{h}$  [ml/h]



## Frank Mohn Services AS

Head office: Frank Mohn AS, Norway Phone: +47 55 99 90 00, Telefax: +47 55 99 93 80,  
E-mail: [sales.marine@framo.no](mailto:sales.marine@framo.no), Web: [www.framo.no](http://www.framo.no)

	Telephone	Telefax	E-mail	Web
Frank Mohn Flatøy AS, Norway	+47 55 99 94 00	+47 55 99 95 81	<a href="mailto:oil&amp;gas@framo.no">oil&amp;gas@framo.no</a>	<a href="http://www.framo.no">www.framo.no</a>
Frank Mohn Fusa AS, Norway	+47 55 99 96 00	+47 55 99 97 80	<a href="mailto:marine@framo.no">marine@framo.no</a>	<a href="http://www.framo.no">www.framo.no</a>
Frank Mohn Piping AS, Norway	+47 55 99 75 00	+47 55 99 75 10	<a href="mailto:piping.marine@framo.no">piping.marine@framo.no</a>	<a href="http://www.framo.no">www.framo.no</a>
Frank Mohn Services AS, Norway	+47 55 99 92 00	+47 55 99 93 82	<a href="mailto:service@framo.no">service@framo.no</a>	<a href="http://www.framo.no">www.framo.no</a>
Framo Engineering AS, Norway	+47 55 92 88 00	+47 55 92 89 00	<a href="mailto:sales@framoeng.no">sales@framoeng.no</a>	<a href="http://www.framoeng.no">www.framoeng.no</a>
Frank Mohn Nederland BV	+31 181 619311	+31 181 611193	<a href="mailto:fm.nederland@framo.no">fm.nederland@framo.no</a>	<a href="http://www.framo.no">www.framo.no</a>
Frank Mohn Houston Inc	+1 281 884 4800	+1 281 884 4888	<a href="mailto:fm.houston@framo.no">fm.houston@framo.no</a>	<a href="http://www.framo.no">www.framo.no</a>
Frank Mohn Singapore Pte Ltd	+65 6210 2400	+65 6210 2401	<a href="mailto:fm.sin@framo.no">fm.sin@framo.no</a>	<a href="http://www.framo.no">www.framo.no</a>
Frank Mohn Nippon K.K.	+81 3 5776 2405	+81 3 5776 2406	<a href="mailto:fmnippon@framo.co.jp">fmnippon@framo.co.jp</a>	<a href="http://www.framo.no">www.framo.no</a>
Frank Mohn Korea Office	+82 51 743 6942	+82 51 743 6944	<a href="mailto:fmk@framosk.com">fmk@framosk.com</a>	<a href="http://www.framo.no">www.framo.no</a>
Frank Mohn Shanghai Ltd	+86 21 6115 5000	+86 21 6115 5001	<a href="mailto:saleschina@frankmohn.com">saleschina@frankmohn.com</a>	<a href="http://www.framo.no">www.framo.no</a>
Frank Mohn do Brasil Ltda	+55 21 2507 7898	+55 21 2507 7888	<a href="mailto:framobr@framobr.com.br">framobr@framobr.com.br</a>	<a href="http://www.framo.no">www.framo.no</a>